

NICO BrainPath®

Atraumatic Access to the Subcortical Space

PRODUCT GUIDE



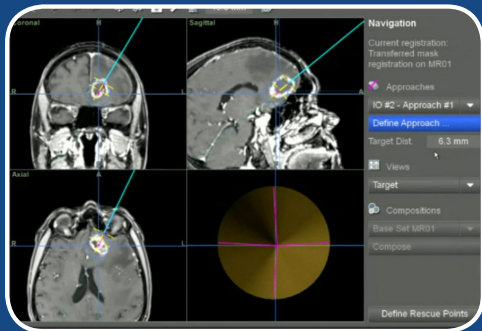
Safe access and visualization of the surgical field during brain and spinal surgery.

The NICO BrainPath is an innovative and groundbreaking access technology dramatically changing how surgeons can safely move through the natural folds and delicate fibers of the brain, providing the ability to address unmet clinical needs in neurosurgery.

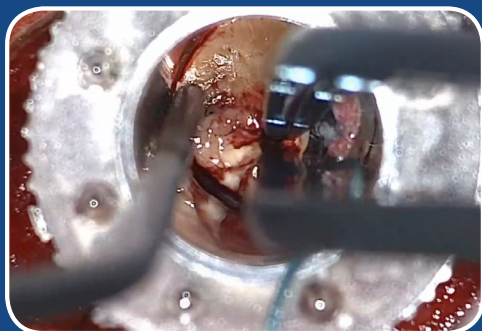
The obturators are uniquely designed with an atraumatic tip that minimizes tissue damage by displacing tissues of the brain during advancement to the targeted abnormality. The clear sheath remains in the brain during the procedure and after the obturator is removed to serve as a protective portal for surgeons to easily maintain access to the surgical site.

- **Opportunity for atraumatic access without the creation of a corticectomy or corticotomy.**

- **Locks in navigation probes for real-time placement in the surgical field.**



The BrainPath is neuro-navigation compatible.



The NICO BrainPath allows surgeons to easily maintain access to the surgical site.

NICO BrainPath®

Product Family Information

NICO BrainPath Obturators and Sheath Diameters and Lengths

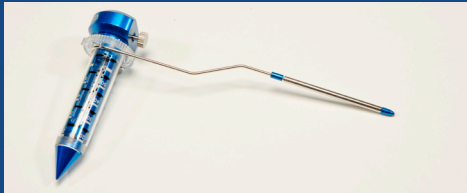
PRODUCT NUMBER	PRODUCT NAME	DIAMETER & LENGTH	STERILE/ NON-STERILE
NN-7015	BrainPath Obturator	13.5mm x 50mm	Non-Sterile
NN-7016	BrainPath Obturator	13.5mm x 60mm	Non-Sterile
NN-7017	BrainPath Obturator	13.5mm x 75mm	Non-Sterile
NN-7026	BrainPath ST-Gold Obturator	13.5mm x 50mm	Non-Sterile
NN-8011	BrainPath Sheath	13.5mm x 50mm	Sterile
NN-8012	BrainPath Sheath	13.5mm x 60mm	Sterile
NN-8013	BrainPath Sheath	13.5mm x 75mm	Sterile
NN-9005	BrainPath Manipulation Tool		Non-Sterile
NN-7019	BrainPath Sterilization Tray		Non-Sterile

NICO BrainPath Kit

- 1 - 50mm BrainPath Obturator
- 1 - 60mm BrainPath Obturator
- 1 - 75mm BrainPath Obturator
- 1 - 50mm BrainPath ST-Gold Obturator
- 2 - Manipulation Tools
- 1 - Sterilization tray

*The NICO BrainPath Kit is Product #NN-7018.

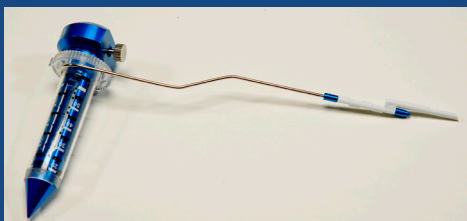
*BrainPath sheaths are packaged sterile in boxes of 2 and are single use, disposable items.



NICO Shepherd's Hook™ with BrainPath for use with Greenberg™ retractor (also compatible with Fukushima retractor).



NICO Shepherd's Hook with BrainPath for use with Sugita™ retractor.



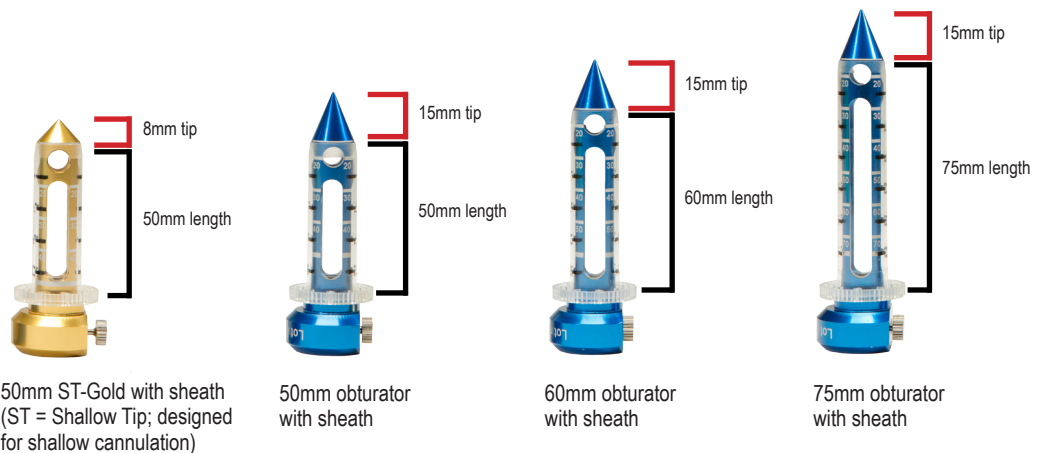
NICO Shepherd's Hook with BrainPath for use with Budde™ retractor.



75mm, 60mm and 50mm BrainPath sheaths



The NICO BrainPath Capital Kit



888-632-7071
www.NICOneuro.com

NICO
 CORPORATION